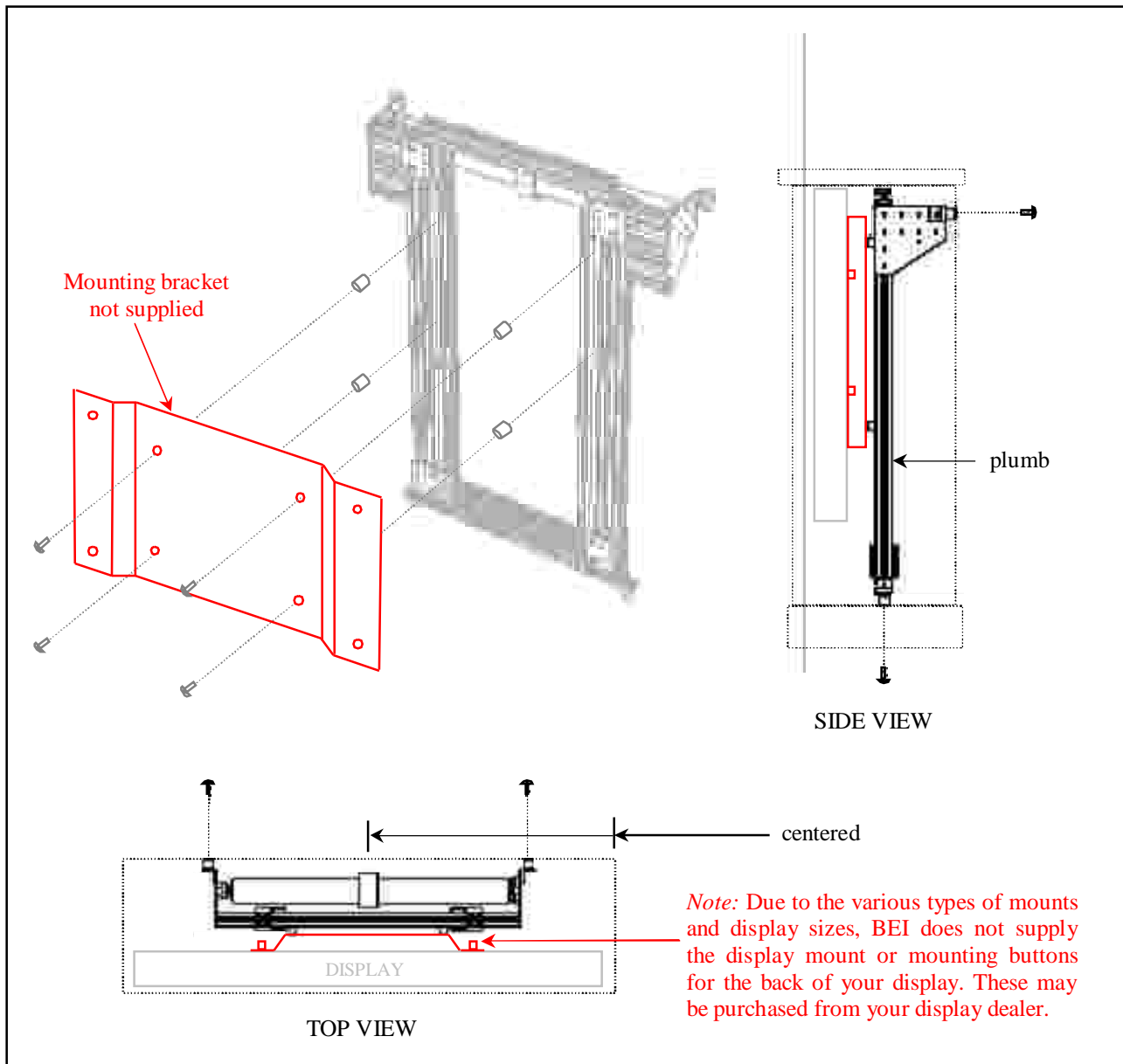


Mounting Instructions for BEI Motorized Display Lift



The BEI Motorized Display Lift mounts easily to the inside of any cabinet. The lift is thru-bolted to the cabinet using 4 ea. 5/16-18 x 1-1/4" machine screws with washers into the threaded neoprene shock mounts (BEI supplied this screw length based on a cabinet wall and floor of 5/8" to 3/4"). The shock mounts are located at the top back (2 ea.) and the bottom (2 ea.) of the lift frame. When mounting the lift frame, it must be plumb top to bottom and centered side to side within the cabinet.

Mount your display bracket (not included) to the adjustable mounts on the front of the lift frame. Adjust the mounts using the 5/16" Allen Head set screws to match your mounting bracket holes. Use the 5/16" x 1-1/4" machine screws provided with the round 3/4" shims to mount your display bracket. (*Be sure all screws are tightened before hanging your display!*) Screw your mounting buttons to the threaded holes provided in the back of your display. Hang your display on the mounting bracket.